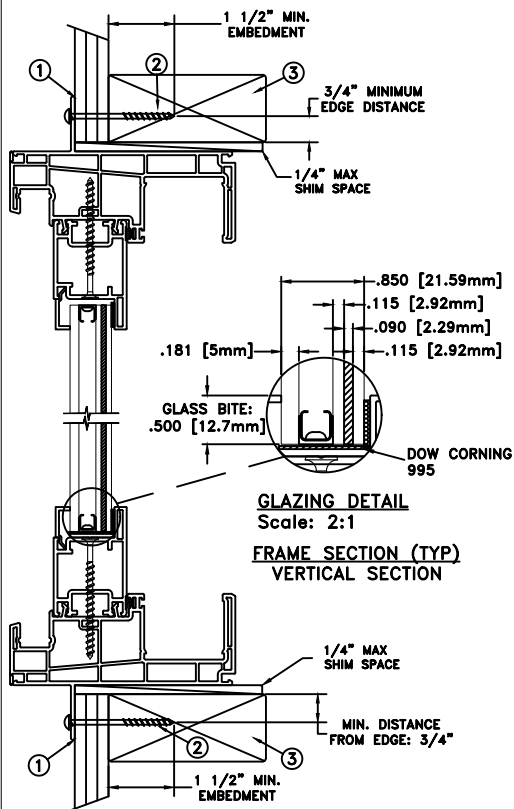
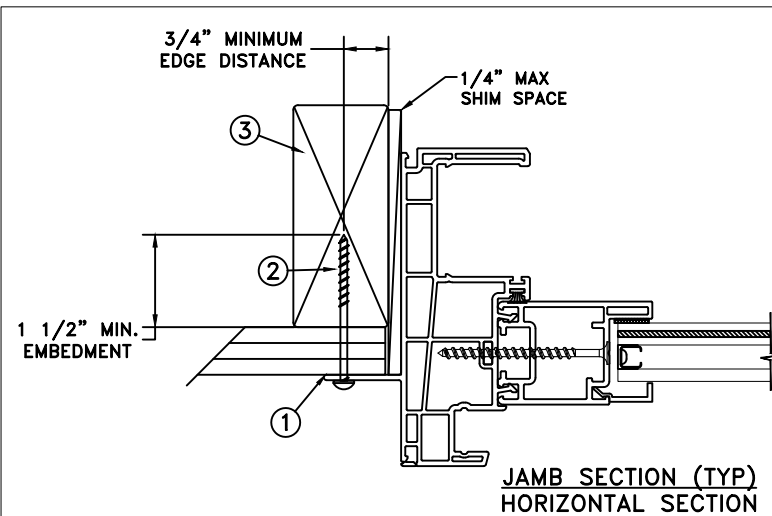


TYPICAL ELEVATION WITH FASTENER SPACING



NOTE: Caulk between Nailing Flange & Wood Opening.

NAILFIN INSTALLATION



NOTE: Caulk between Nailing Flange & Wood Opening.

MAXIMUM FRAME	DP	IMPACT
36" x 80"	+50/-55	YES

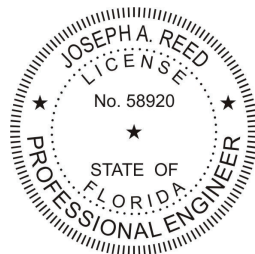
WINDZONE 3

Installation Notes:

1. Seal flange/frame to substrate.
2. Use #8 PH or greater fastener through the nail flange with sufficient length to penetrate a minimum of 1 1/2" into the wood framing. For 2x wood frame substrate (min. S.G. = 0.42)
3. Host structure (wood buck, masonry, steel) to be designed and anchored to properly transfer all loads to the structure. The host structure is the responsibility of the architect or engineer of record for the project of installation.

General Notes:

1. The product shown herein is designed, tested and manufactured to comply with the wind load criteria of the adopted International Building Code (IBC), the International Residential Code (IRC), the current Florida Building Code (FBC) and the industry requirement for the stated conditions.
2. All glazing shall conform to ASTM E1300.
3. At minimum, glazing is 5.0 mm annealed - 8.86 mm airspace - 3.0 mm annealed - 2.29 mm DuPont PVB Interlayer - 3.0 mm annealed glass.
4. Use structural or composite shims where required.



*Joseph A. Reed*

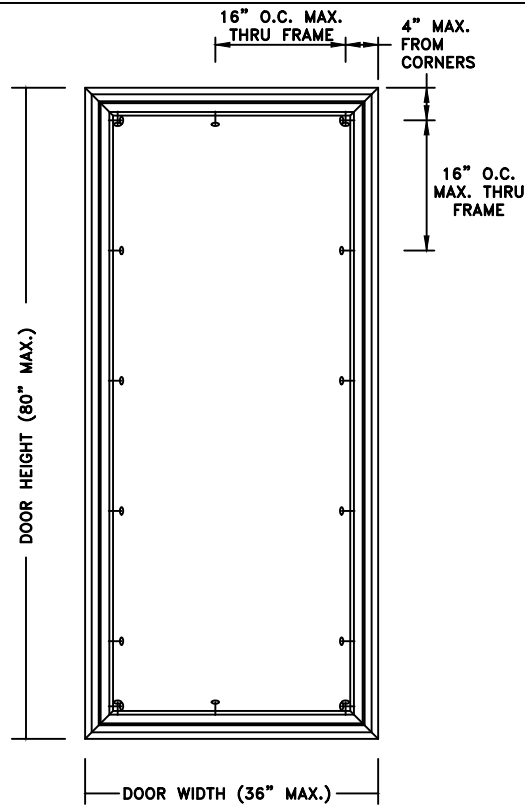
2020.05.06 14:31:01 -04'00'

**JOSEPH A. REED, P.E.**  
 Florida P.E. No. 58920, REG. No. 33474  
 5 Leigh Drive  
 York, PA. 17406  
 (717) 846-1200

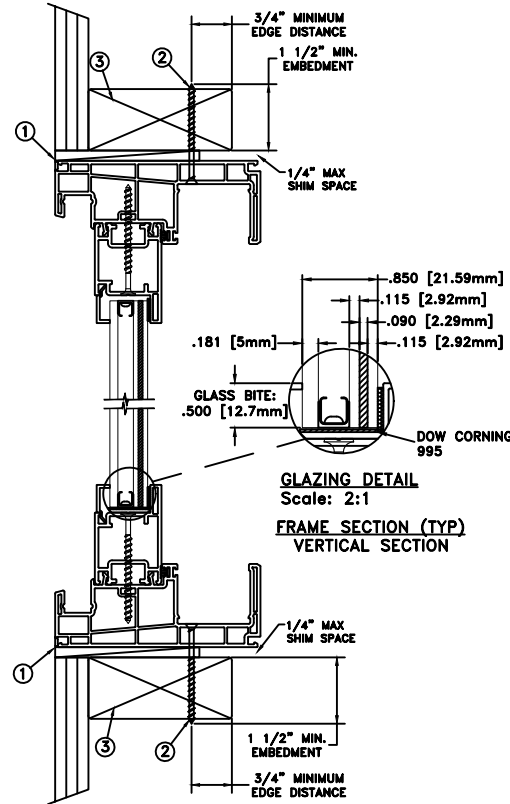
This schedule addresses only the fasteners required to anchor the unit to achieve the rated design pressure and impact performance (where applicable) up to the size limitations noted. It is not intended as a guide to the installation process and does not address the sealing consideration that may arise in different wall conditions. For the complete installation procedure, see the instructions packaged with the unit or go to www.jeld-wen.com.

DISCLAIMER:  
 This drawing and its contents are confidential and are not to be reproduced or copied in whole or in part or used or disclosed to others except as authorized by JELD-WEN Inc.

DATE: 03/26/2020	3737 LAKEPORT BLVD.	
SCALE: NTS	KLAMATH FALLS OR, 97601	
DRAWN BY: T. BROOKS		PHONE: (541) 882-3451
CHECKED BY: D. BELAU	TITLE: Premium Vinyl Sidelite/Transom NRW Stile Impact Window	
APPROVED BY: J. GOOSSEN		
PART/PROJECT No.: D014566	PLANT NAME AND LOCATION:	CAD DWG. No.:
IDENTIFIER No. NCTL-110-17-018	REV: A	SHEET 1 of 4

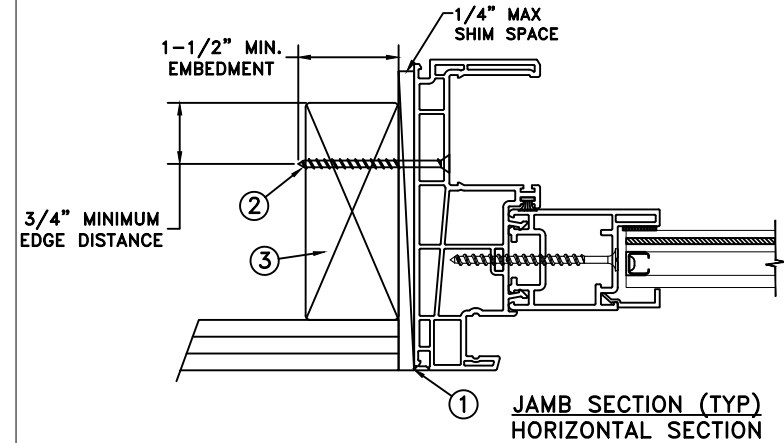


TYPICAL ELEVATION WITH FASTENER SPACING



GLAZING DETAIL  
Scale: 2:1  
FRAME SECTION (TYP)  
VERTICAL SECTION

THROUGH FRAME  
INSTALLATION



JAMB SECTION (TYP)  
HORIZONTAL SECTION

MAXIMUM FRAME	DP	IMPACT
36" x 80"	+50/-55	YES

WINDZONE 3

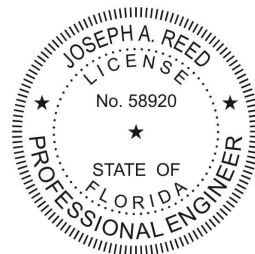
Installation Notes:

1. Seal flange/frame to substrate.
2. Use #8 PH or greater fastener through the head, sill & side jambs with sufficient length to penetrate a minimum of 1 1/2" into the wood framing. For 2x wood frame substrate (min. S.G. = 0.42)
3. Host structure (wood buck, masonry, steel) to be designed and anchored to properly transfer all loads to the structure. The host structure is the responsibility of the architect or engineer of record for the project of installation.

General Notes:

1. The product shown herein is designed, tested and manufactured to comply with the wind load criteria of the adopted International Building Code (IBC), the International Residential Code (IRC), the current Florida Building Code (FBC) and the industry requirement for the stated conditions.
2. All glazing shall conform to ASTM E1300.
3. At minimum, glazing is 5.0 mm annealed - 8.86 mm airspace - 3.0 mm annealed - 2.29 mm DuPont PVB Interlayer - 3.0 mm annealed glass.
4. Use structural or composite shims where required.

This schedule addresses only the fasteners required to anchor the unit to achieve the rated design pressure and impact performance (where applicable) up to the size limitations noted. It is not intended as a guide to the installation process and does not address the sealing consideration that may arise in different wall conditions. For the complete installation procedure, see the instructions packaged with the unit or go to [www.jeld-wen.com](http://www.jeld-wen.com).



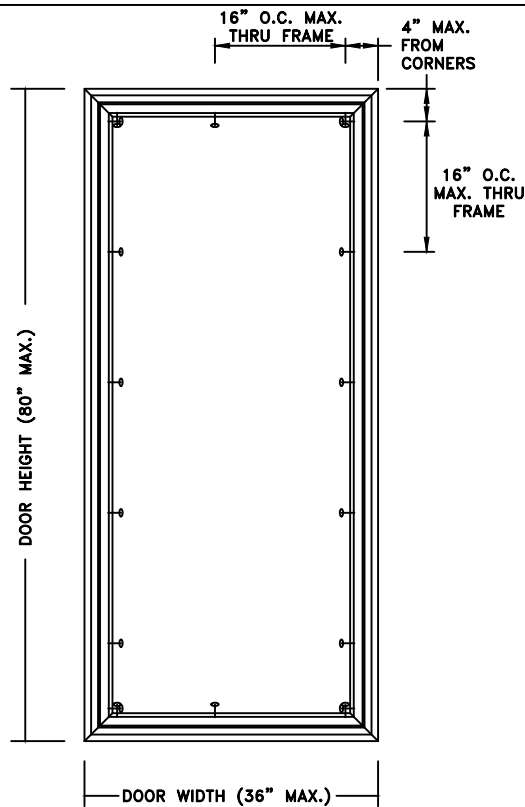
*Joseph A. Reed*

2020.05.06 14:31:01 -04'00'

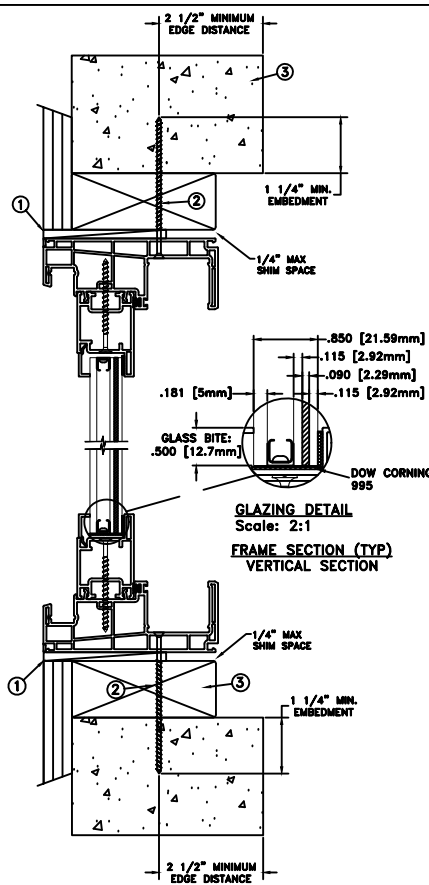
JOSEPH A. REED, P.E.  
Florida P.E. No. 58920, REG. No. 33474  
5 Leigh Drive  
York, PA. 17406  
(717) 846-1200

DISCLAIMER:  
This drawing and its contents are confidential and are not to be reproduced or copied in whole or in part or used or disclosed to others except as authorized by JELD-WEN Inc.

DATE: 03/26/2020	3737 LAKEPORT BLVD. KLAMATH FALLS OR, 97601 PHONE: (541) 882-3451	
DRAWN BY: T. BROOKS	SCALE: NTS	<b>JELD-WEN</b>
CHECKED BY: D. BELAU	TITLE: Premium Vinyl Sidelite/Transom NRW Stile Impact Window	
APPROVED BY: J. GOOSSEN	PART/PROJECT No.: D014566	
IDENTIFIER No. NCTL-110-17-018	PLANT NAME AND LOCATION:	CAD DWG. No.:
	REVISION: A	SHEET 2 of 4

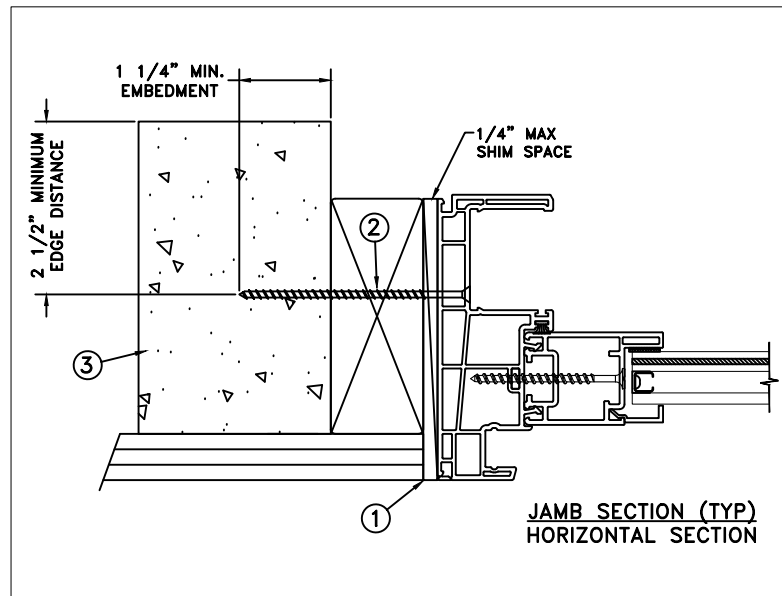


TYPICAL ELEVATION WITH FASTENER SPACING



GLAZING DETAIL  
Scale: 2:1  
FRAME SECTION (TYP)  
VERTICAL SECTION

CONCRETE/MASONRY  
INSTALLATION



JAMB SECTION (TYP)  
HORIZONTAL SECTION

MAXIMUM FRAME	DP	IMPACT
36" x 80"	+50/-55	YES

WINDZONE 3

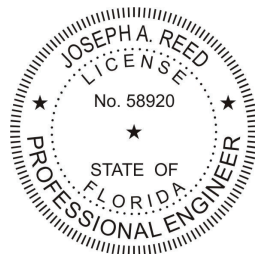
Installation Notes:

1. Seal flange/frame to substrate.
2. Use 1/4" Elco Tapcon or equivalent fasteners through the pre-drilled holes in the head/sill tracks at the center (2) towers with sufficient length to penetrate a minimum of 1 1/4" into concrete or masonry at each location with a 2 1/2" min. from edge distance. For concrete (min. fc = 3000 psi) or masonry substrate (CMU shall adhere to ASTM C90).
3. Host structure (wood buck, masonry, steel) to be designed and anchored to properly transfer all loads to the structure. The host structure is the responsibility of the architect or engineer of record for the project of installation.

General Notes:

1. The product shown herein is designed, tested and manufactured to comply with the wind load criteria of the adopted International Building Code (IBC), the International Residential Code (IRC), the current Florida Building Code (FBC) and the industry requirement for the stated conditions.
2. All glazing shall conform to ASTM E1300.
3. At minimum, glazing is 5.0 mm annealed - 8.86 mm airspace - 3.0 mm annealed - 2.29 mm DuPont PVB Interlayer - 3.0 mm annealed glass.
4. Use structural or composite shims where required.

This schedule addresses only the fasteners required to anchor the unit to achieve the rated design pressure and impact performance (where applicable) up to the size limitations noted. It is not intended as a guide to the installation process and does not address the sealing consideration that may arise in different wall conditions. For the complete installation procedure, see the instructions packaged with the unit or go to [www.jeld-wen.com](http://www.jeld-wen.com).



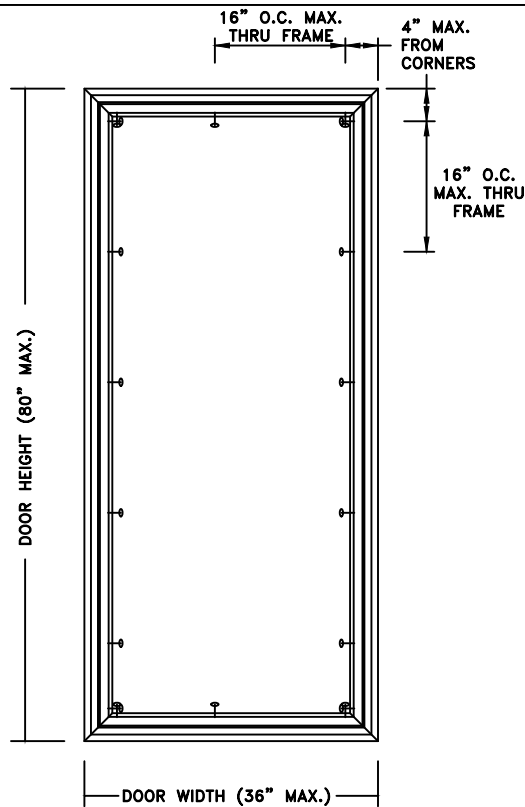
*Joseph A. Reed*

2020.05.06 14:31:01 -04'00'

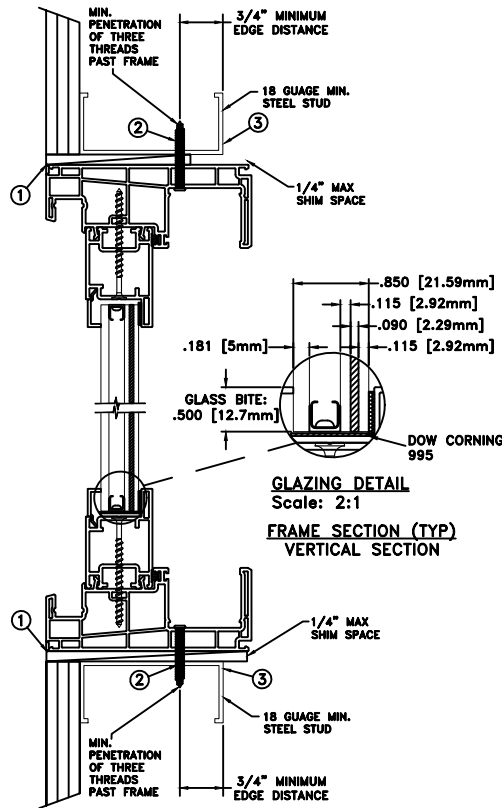
**JOSEPH A. REED, P.E.**  
Florida P.E. No. 58920, REG. No. 33474  
5 Leigh Drive  
York, PA. 17406  
(717) 846-1200

DATE: 03/26/2020	3737 LAKEPORT BLVD.	
DRAWN BY: T. BROOKS	SCALE: NTS	<b>JELD-WEN</b> KLAMATH FALLS OR, 97601 PHONE: (541) 882-3451
CHECKED BY: D. BELAU	TITLE: Premium Vinyl Sidelite/Transom NRW Stile Impact Window	
APPROVED BY: J. GOOSSEN	PART/PROJECT No.: D014566	
IDENTIFIER No. NCTL-110-17-018	PLANT NAME AND LOCATION:	CAD DWG. No.: REV: A SHEET 3 of 4

DISCLAIMER:  
This drawing and its contents are confidential and are not to be reproduced or copied in whole or in part or used or disclosed to others except as authorized by JELD-WEN Inc.

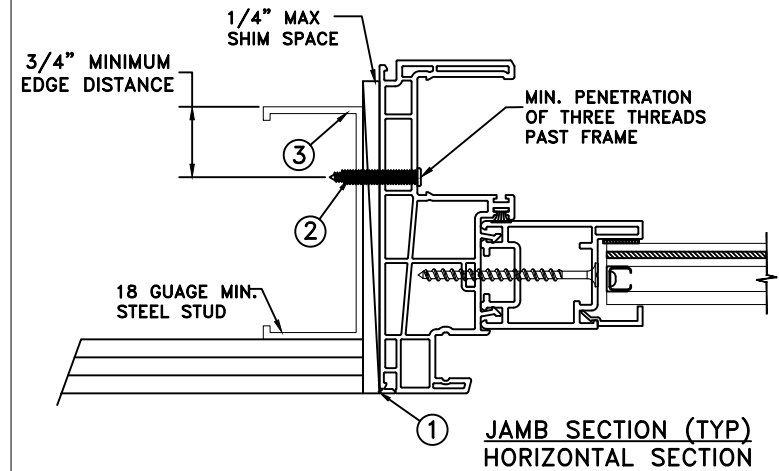


TYPICAL ELEVATION WITH FASTENER SPACING



GLAZING DETAIL  
Scale: 2:1  
FRAME SECTION (TYP)  
VERTICAL SECTION

STEEL INSTALLATION



JAMB SECTION (TYP)  
HORIZONTAL SECTION

MAXIMUM FRAME	DP	IMPACT
36" x 80"	+50/-55	YES

WINDZONE 3

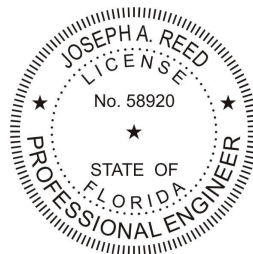
Installation Notes:

1. Seal flange/frame to substrate.
2. For anchoring into metal framing use #10 TEK Self-Tapping screws with sufficient length to achieve a minimum penetration of three threads past the frame thickness. Steel substrate min. 18ga., fy = 33 ksi.
3. Host structure (wood buck, masonry, steel) to be designed and anchored to properly transfer all loads to the structure. The host structure is the responsibility of the architect or engineer of record for the project of installation.

General Notes:

1. The product shown herein is designed, tested and manufactured to comply with the wind load criteria of the adopted International Building Code (IBC), the International Residential Code (IRC), the current Florida Building Code (FBC) and the industry requirement for the stated conditions.
2. All glazing shall conform to ASTM E1300.
3. At minimum, glazing is 5.0 mm annealed - 8.86 mm airspace - 3.0 mm annealed - 2.29 mm DuPont PVB Interlayer - 3.0 mm annealed glass.
4. Use structural or composite shims where required.

This schedule addresses only the fasteners required to anchor the unit to achieve the rated design pressure and impact performance (where applicable) up to the size limitations noted. It is not intended as a guide to the installation process and does not address the sealing consideration that may arise in different wall conditions. For the complete installation procedure, see the instructions packaged with the unit or go to [www.jeld-wen.com](http://www.jeld-wen.com).



*Joseph A. Reed*

2020.05.06 14:31:01 -04'00'

**JOSEPH A. REED, P.E.**  
Florida P.E. No. 58920, REG. No. 33474  
5 Leigh Drive  
York, PA. 17406  
(717) 846-1200

DISCLAIMER:  
This drawing and its contents are confidential and are not to be reproduced or copied in whole or in part or used or disclosed to others except as authorized by JELD-WEN Inc.

DATE: 03/26/2020	3737 LAKEPORT BLVD. KLAMATH FALLS OR, 97601 PHONE: (541) 882-3451	
DRAWN BY: T. BROOKS	SCALE: NTS	<b>JELD-WEN</b>
CHECKED BY: D. BELAU	TITLE: Premium Vinyl Sidelite/Transom NRW Stile Impact Window	
APPROVED BY: J. GOOSSEN	PART/PROJECT No.: D014566	
IDENTIFIER No. NCTL-110-17-018	PLANT NAME AND LOCATION:	CAD DWG. No.:
		REV: A SHEET 4 of 4